

# HOW TO "READ" FM TUNER SPECIFICATIONS

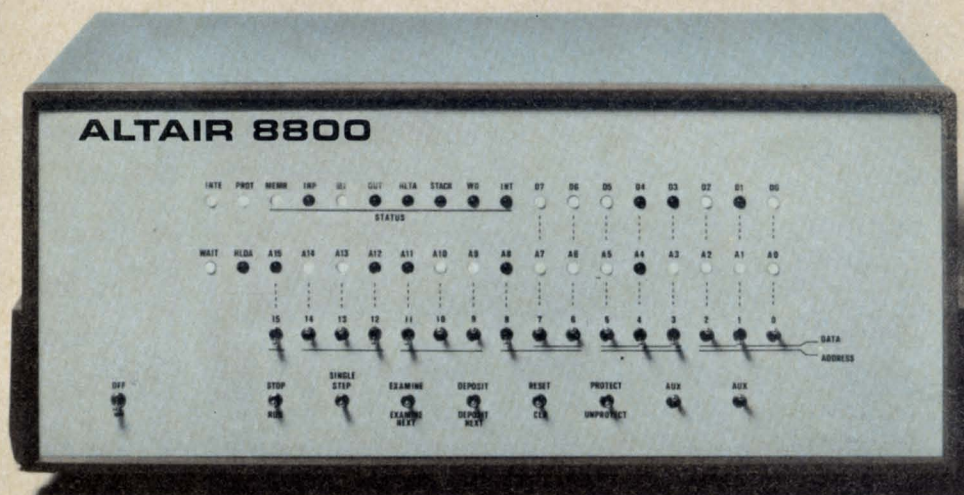
# Popular Electronics

WORLD'S LARGEST-SELLING ELECTRONICS MAGAZINE JANUARY 1975/75¢

## PROJECT BREAKTHROUGH!

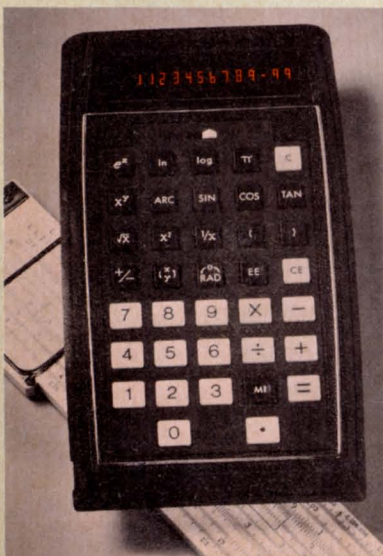
# World's First Minicomputer Kit to Rival Commercial Models...

# "ALTAIR 8800" SAVE OVER \$1000



## ALSO IN THIS ISSUE:

- An Under-\$90 Scientific Calculator Project
- CCD's—TV Camera Tube Successor?
- Thyristor-Controlled Photoflashers



## TEST REPORTS:

Technics 200 Speaker System  
Pioneer RT-1011 Open-Reel Recorder  
Tram Diamond-40 CB AM Transceiver  
Edmund Scientific "Kirlian" Photo Kit  
Hewlett-Packard 5381 Frequency Counter

# Popular Electronics®

WORLD'S LARGEST-SELLING ELECTRONICS MAGAZINE

## FEATURE ARTICLES

<b>THYRISTOR CIRCUITRY FOR ELECTRONIC PHOTOFLASHERS</b> .....	Michele Frank	39
<i>An SCR trigger provides faster recycling, more flashes and quick recharge.</i>		
<b>SOLID-STATE IMAGE SENSORS—TV CAMERA TUBE SUCCESSOR?</b> .....	Harry Garland & Roger Melen	43
<b>KEYING AND VCA CIRCUITS FOR ELECTRONIC MUSIC INSTRUMENTS, PART I</b> .....	Don Lancaster	60
<b>HOW TO "READ" FM TUNER SPECS</b> .....	Julian D. Hirsch	68
<b>LIGHTNING DAMAGE INSURANCE JOBS</b> .....	John T. Frye	72
<i>How lightning damage occurs and how to prevent it.</i>		

## CONSTRUCTION ARTICLES

<b>ALTAIR 8800 MINICOMPUTER, PART I</b> .....	H. Edward Roberts & William Yates	33
<i>The most powerful minicomputer project ever presented—for under \$400.</i>		
<b>AN IGNITION TIMING LIGHT FOR IMPROVING GAS ECONOMY</b> .....	Anthony Caristi	50
<b>BUILD AN UNDER-\$90 SCIENTIFIC CALCULATOR</b> .....	Martin Meyer	53
<i>Ten-digit, full-function, pocket-size.</i>		
<b>IC SPEED CONTROLLER FOR HO MODEL RAILROADS</b> .....	Robert D. Pascoe	58
<b>BUILD THE TRANSISTOR IDENTOMETER</b> .....	John T. Bailey	69
<i>Identifies leads and polarities and shows up bad devices.</i>		
<b>SIMPLE SQUELCHING CIRCUIT FOR STEREO FM TUNERS</b> .....	Lawrence N. Dworsky	71

## COLUMNS

<b>STEREO SCENE</b> .....	Ralph Hodges	22
<i>Mikes and miking.</i>		
<b>SOLID STATE</b> .....	Lou Garner	88
<i>Predictions for 1975.</i>		
<b>CB SCENE</b> .....	Len Buckwalter	92
<i>CB's Red Baron.</i>		
<b>AMATEUR RADIO</b> .....	Herbert S. Brier	94
<i>Reception and the atmosphere.</i>		
<b>TEST EQUIPMENT SCENE</b> .....	Leslie Solomon	98
<i>Rejuvenating elderly equipment.</i>		
<b>HOBBY SCENE</b> .....	Editorial Staff	102

## PRODUCT TEST REPORTS

<b>TECHNICS BY PANASONIC MODEL T-200 SPEAKER SYSTEM</b> .....	78
<b>PIONEER MODEL RT-1011L STEREO TAPE RECORDER</b> .....	79
<b>HEWLETT-PACKARD MODEL 5381A FREQUENCY COUNTER</b> .....	80
<b>TRAM DIAMOND 40 AM CB TRANSCEIVER</b> .....	81
<b>EDMUND SCIENTIFIC KIRLIAN ELECTROPHOTOGRAPHY KIT</b> .....	82

## DEPARTMENTS

<b>EDITORIAL</b> .....	Art Salsberg	4
<i>The Home Computer Is Here!</i>		
<b>LETTERS</b> .....		6
<b>NEW PRODUCTS</b> .....		12
<b>NEW LITERATURE</b> .....		16
<b>NEWS HIGHLIGHTS</b> .....		26
<b>ELECTRONICS LIBRARY</b> .....		100

POPULAR ELECTRONICS, January 1975, Volume 7, Number 1. Published monthly at One Park Avenue, New York, NY 10016. One year subscription rate for U.S., Possessions and Canada, \$6.98; all other countries, \$8.98. Second class Postage paid at New York, NY and at additional mailing offices. Authorized as second class mail by the Post Office Department, Ottawa, Canada and for payment of postage in cash. Subscription service and Forms 3579; P.O. Box 2774, Boulder, CO 80302.

POPULAR ELECTRONICS Including ELECTRONICS WORLD, Trade Mark Registered. Indexed in the Reader's Guide to Periodical Literature. COPYRIGHT ©1974 BY ZIFF-DAVIS PUBLISHING COMPANY. ALL RIGHTS RESERVED.

Ziff-Davis also publishes Boating, Car and Driver, Cycle, Flying, Modern Bride, Popular Photography, Skiing and Stereo Review.

Forms 3579 and all subscription correspondence should be addressed to POPULAR ELECTRONICS, Circulation Dept., P. O. Box 2774, Boulder, CO 80302. Please allow at least eight weeks for change of address. Include your old address, as well as new—enclosing, if possible, an address label from a recent issue.

Editorial contributions must be accompanied by return postage and will be handled with reasonable care; however publisher assumes no responsibility for return or safety of art work, photographs, models, or manuscripts.



**EDGAR W. HOPPER**  
Publisher

**ARTHUR P. SALSBERG**  
Editorial Director

**LESLIE SOLOMON**  
Technical Editor

**JOHN R. RIGGS**  
Managing Editor

**EDWARD I. BUXBAUM**  
Art Director

**ALEXANDER W. BURAWA**  
Associate Editor

**JOHN McVEIGH**  
Assistant Editor

**ANDRE DUZANT**  
Technical Illustrator

**HERBERT S. BRIER**  
**LEN BUCKWALTER**  
**LOU GARNER**  
**GLENN HAUSER**  
**JULIAN D. HIRSCH**  
**RALPH HODGES**  
**WALTER G. JUNG**  
**ART MARGOLIS**  
Contributing Editors

**JOSEPH E. HALLORAN**  
Advertising Director

**JOHN J. CORTON**  
Advertising Sales

**LINDA BLUM**  
Advertising Service Manager

**PEGI McENEANEY**  
Executive Assistant

**STANLEY NEUFELD**  
Associate Publisher

**FURMAN H. HEBB**  
Group VP, Electronics & Photo

ZIFF-DAVIS PUBLISHING COMPANY  
Popular Electronics

Editorial and Executive Offices  
One Park Avenue New York, New York 10016  
212-725-3500

Hershel B. Sarbin, President

Furman Hebb, Executive Vice President and Treasurer  
Phillip T. Heffernan, Senior Vice President, Marketing  
Edward D. Muhfeld, Senior Vice President, Sports Division  
Philip Sine, Senior Vice President

Frank Pomerantz, Vice President, Creative Services  
Arthur W. Butzow, Vice President, Production

Lawrence Sporn, Vice President, Circulation  
George Morrissey, Vice President

Sydney H. Rogers, Vice President

Sidney Holtz, Vice President

Charles B. Seton, Secretary

Edgar W. Hopper, Vice President, Electronics Div.

William Ziff, Chairman

W. Bradford Briggs, Vice Chairman

Midwestern Office

The Pattis Group, 4761 West Touhy Ave.,  
Lincolnwood, Illinois 60644, 312 679-1100

GERALD E. WOLFE, GEORGE B. MANNION  
DAVID ALLEN

Western Office

9025 Wilshire Boulevard, Beverly Hills, CA 90211  
213 273-8050; BRadshaw 2-1161

Western Advertising Manager, BUD DEAN

Japan: James Yagi

Oji Palace Aoyama, 6-25, Minami Aoyama  
6 Chome, Minato-Ku, Tokyo 407-1930/6821,  
582-2851

## THE HOME COMPUTER IS HERE!

For many years, we've been reading and hearing about how computers will one day be a household item. Therefore, we're especially proud to present in this issue the first *commercial type* of minicomputer project ever published that's priced within reach of many households—the *Altair 8800*, with an under-\$400 complete kit cost, including cabinet.

To give you some insight to our editorial goal for this momentous project, we were determined *not* to present a digital computer demonstrator with blinking LED's that would simply be fun to build and watch, but suffer from limited usefulness. High chip costs would have made this a most expensive toy. What we wanted for our readers was a state-of-the-art minicomputer whose capabilities would match those of currently available units at a mere fraction of the cost.

After turning down three computer project proposals that did not meet these requirements, the breakthrough was made possible with the availability of the Intel 8080 n-channel CPU (central processor unit)—the highest-performance, single-chip processor available at this time. As a result, *Altair 8800* offers up to 65,000 words of memory, 256 inputs and outputs simultaneously, buss line expansion, subroutines that are enormously deep, and fast cycle time, among other desirable characteristics. Peripheral equipment such as a "smart" CRT terminal is expected to be available, too, to make up a within-pocket-book-reach sophisticated minicomputer system.

Unlike a calculator—and we're presenting an under-\$90 scientific calculator in this issue, too—computers can make logical *decisions* for an accounting system, navigation computer, time-shared computer, sophisticated intrusion system, and thousands of other applications. The "power" of *Altair 8800* is such that it can handle many programs simultaneously.

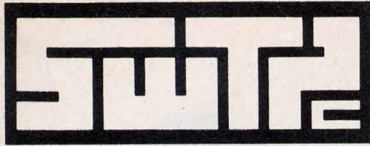
What we're presenting to you, the POPULAR ELECTRONICS reader, therefore, is a minicomputer that will grow with your needs, rather than one that will be obsoleted as you move more deeply into computerized applications. With minicomputers exhibiting an annual growth rate of some 50%, according to the E.I.A., and with predictions that six out of ten computers sold by 1975 will be mini's, you can be sure that there will be manifold uses we cannot even think of at this time.

There'll be more coverage on the subject in future issues. Meanwhile, the home computer age is here—finally.

*Art Salsberg*

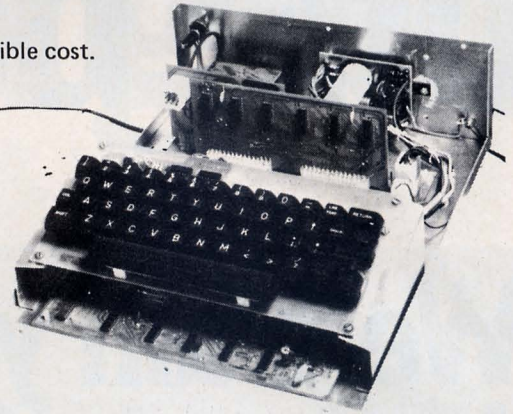
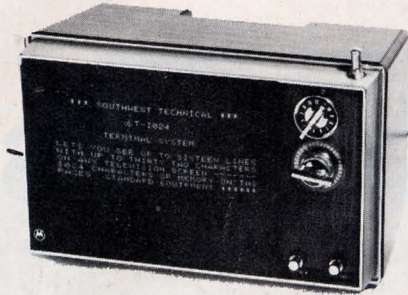


The publisher has no knowledge of any proprietary rights which will be violated by the making or using of any items disclosed in this issue.



# IS PROUD TO ANNOUNCE: THE CT-1024 TERMINAL SYSTEM

- \* DISPLAYS UP TO 16 LINES (of 32 Characters) AT ONE TIME.
- \* 1,024 Character — Two Page Memory Capacity — STANDARD.
- \* Plug-In Circuits to adapt the terminal to any requirement at lowest possible cost.
- \* Requires +5 Volts DC @ 2.5 Amps, -5 and -12 Volts @ 20 Ma.
- \* Use with any TV set



- \* Up to date, low power consumption STATIC type MOS Memory.
- \* No complicated refresh or power-down circuits needed.

At last we can tell you about the most versatile, video-display terminal kit available anywhere; the Southwest Technical CT-1024. Our terminal is designed around a basic mother board and a 6,144 bit memory that will display two pages of data on any standard television set, or monitor. The two pages consist of 16 lines with 32 characters on each line. Input may be any source of parallel ASCII code; keyboard, computer, etc. If the system is to be used for a display, teaching aid, deaf communicator, or other similar purpose; this is all you will need.

Other applications of a terminal system such as remote time share, RTTY, etc require an interface having a serial output. For these applications you add our # CT-S plug-in UART card to the mother board. This allows you to transmit and receive ACSCII coded data in serial form at a rate of 110 baud. (300 and 600 baud options are available). The standard RS-232 type interface connects directly to your transmitter FSK modulator, modem system, or what have you.

If you are going to use the CT-1024 directly with a computer I/O port that requires a parallel ACSCII input, then you will want our parallel interface card, #CT-P which

allows either the keyboard, or the computer to access the terminals memory and display data on the screen.

For those applications where it is useful, we also have an "off line edit", or "screen read" plug-in circuit #CT-E. This allows you to compose a program, or message on the terminals display screen and transmit it out a line at a time when you are finished and satisfied that everything is correct.

If you would like the convenience of complete cursor control, we have our #CT-CM plug-in board. This gives you Move Right, Move Left, Move Up, Move Down, Home Up, Erase to end of line and Erase to end of frame functions. These are operated by keyswitches, or any other type switches you may wish to use, giving you complete manual control of the cursor.

If the terminal is to be part of a computer system, you might prefer our automatic cursor control circuit #CT-CA. This plug-in not only allows you to control the cursor and to perform the functions listed above, but makes possible computer control of these same functions through the machines software.

# CT-1024 Terminal System Kit with 1024 Memory Card—less cabinet or power supply . . . . .	\$175.00 PPd
# CT-E Screen Read Plug-in Card Kit . . . . .	\$ 17.50 PPd
# CT-M Manual Cursor Control Plug-in Card Kit . . . . .	\$ 11.50 PPd
# CT-P Power Supply for CT-1024—115-230 Volt Primaries. . . . .	\$ 15.50 PPd
# KBD-2 Keyboard Kit — 53 Keys . . . . .	\$ 39.95 PPd

FREE—1975 Catalog—Circle our number on the "Bingo" card.

**SOUTHWEST TECHNICAL PRODUCTS CORPORATION**

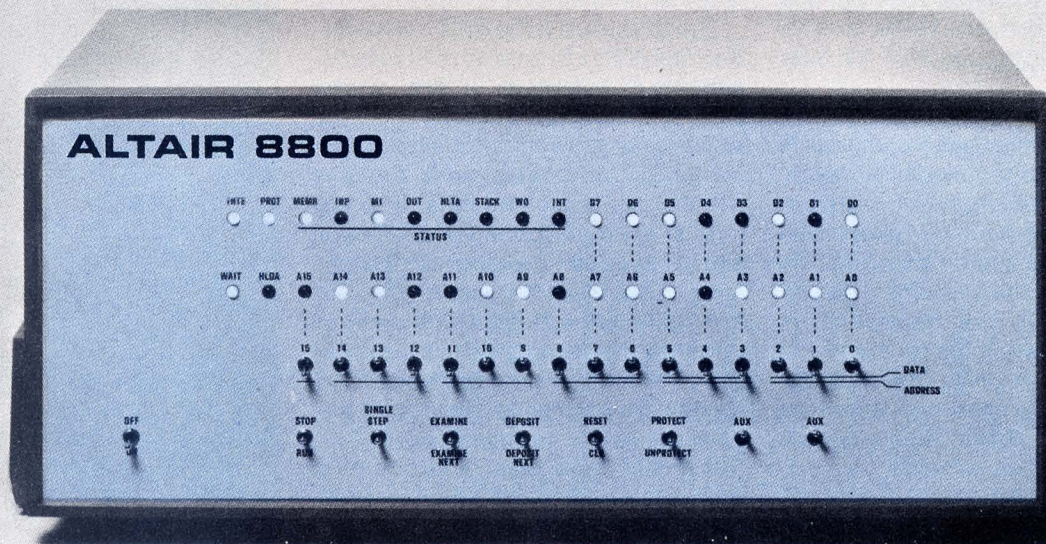
219 W. RHAPSODY

SAN ANTONIO, TEXAS 78216  
CIRCLE NO. 34 ON READER SERVICE CARD

## EXCLUSIVE!

# ALTAIR 8800

## The most powerful minicomputer project ever presented—can be built for under \$400



BY H. EDWARD ROBERTS AND WILLIAM YATES

**T**HE era of the computer in every home—a favorite topic among science-fiction writers—has arrived! It's made possible by the POPULAR ELECTRONICS/MITS Altair 8800, a full-blown computer that can hold its own against sophisticated minicomputers now on the market. And it doesn't cost several thousand dollars. In fact, it's in a color TV-receiver's price class—under \$400 for a complete kit.

The Altair 8800 is not a "demonstrator" or souped-up calculator. It is the most powerful computer ever presented as a construction project in any electronics magazine. In many ways, it represents a revolutionary development in electronic design and thinking.

The Altair 8800 is a parallel 8-bit word/16-bit address computer with an instruction cycle time of 2  $\mu$ s. Its cen-

tral processing unit is a new LSI chip that is many times more powerful than previous IC processors. It can accommodate 256 inputs and 256 outputs, all directly addressable, and has 78 basic machine instructions (as compared with 40 in the usual minicomputer). This means that you can write an extensive and detailed program. The basic computer has 256 words of memory, but it can be economically expanded for 65,000 words. Thus, with full expansion, up to 65,000 subroutines can all be going at the same time.

The basic computer is a complete system. The program can be entered via switches located on the front panel, providing a LED readout in binary format. The very-low-cost terminal presented in POPULAR ELECTRONICS last month can also be used.

### PROCESSOR DESCRIPTION

Processor: 8 bit parallel  
Max. memory: 65,000 words (all directly addressable)  
Instruction cycle time: 2  $\mu$ s (min.)  
Inputs and outputs: 256 (all directly addressable)  
Number of basic machine instructions: 78 (181 with variants)  
Add/subtract time: 2  $\mu$ s  
Number of subroutine levels: 65,000  
Interrupt structure: 8 hardwire vectored levels plus software levels  
Number of auxiliary registers: 8 plus stack pointer, program counter and accumulator  
Memory type: semiconductor (dynamic or static RAM, ROM, PROM)  
Memory access time: 850 ns static RAM; 420 or 150 ns dynamic Ram

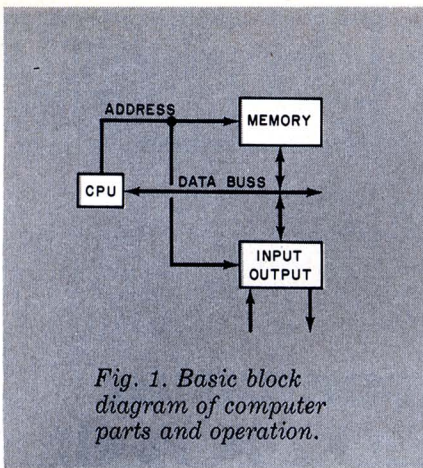


Fig. 1. Basic block diagram of computer parts and operation.

In an upcoming issue, we will describe how to build a low-cost CRT-type terminal that can be used with the computer and can also be mated with any time-sharing computer by telephone.

**About the Computer.** A computer is basically a piece of variable hardware. By changing the bit pattern stored in the memory, the hardware (electronic circuitry) can be altered from one type of device to another. When the bit pattern, and thus the hardware, is changed, we have what is referred to as "software." Any type of variable instruction (programming)—such as Basic, Fortran, Cobol, Algol—is generally classified as software.

To cause it to vary the hardware, you must communicate with the computer. In the case of the 8800, this is done by setting the bit pattern on the front-panel switches in accordance with a set of instructions (provided with the Intel 8080 LSI chip). For example, the 8800 computer will automatically add when a specific bit pattern (10000010) is received. By setting address and data switches, a complete program of up to 78 steps in the basic computer can be inserted into the processor. If extensive programming is to be performed, an assembler or higher language is used. With an assembler, the person doing the program simply types the word "add" on the device. (In Basic and Fortran, a + is used instead.)

Fundamental programming concepts are simple enough to master in a relatively short time. However, to become an efficient programmer requires a lot of experience and a large amount of creativity.

The block diagram of the basic 8800 computer (or any computer, for that

matter) is shown in Fig. 1. It consists of the following subsystems:

**CPU.** The heart of the computer is the CPU, or central processor unit. See fig. 2. The CPU performs all the calculations, generates system timing, and makes all decisions. Of particular importance are the decisions the CPU makes concerning what device should have access to the data buss. It makes these decisions by sending status information at the beginning of each computer cycle, telling the memory and the input/output what to expect for the rest of the cycle.

The CPU contains the program timer, sometimes called the P counter. This device keeps track of the current location in the memory that the processor is using. Also located in the CPU is the arithmetic unit.

The CPU used in the 8800 computer, the Intel 8080 LSI chip, is relatively expensive in quantities of one. It was selected, however, because it serves to create a minicomputer whose performance competes with current commercial minicomputers. In practice, a lower-performance processor would have been adequate for the majority of the tasks the user might wish to initially define. But the problem with the lesser-power approach is that relatively little money would be saved, and it would be doomed to near-future obsolescence for practical purposes. Our intent here was to produce a processor with more than enough power to handle any job.

Still another consideration was programming. The larger the instruction set, the easier the computer is to program. The 8080 chip has 78 instructions, which is almost twice that of the next power level CPU available (Intel's 8008), which is really designed for use as a buffer.

The CPU contains eight general-purpose registers, P counter, arithmetic unit, accumulator, stack pointer, instruction decoder, and miscellaneous timing and control circuits. The arithmetic unit is of special interest because it contains the circuitry required to perform arithmetic in both decimal and binary formats.

The stack pointer is the register that keeps track of the subroutine addresses. The 8800 computer is capable of performing an almost unlimited number of subroutines, a feature not available with other microprocessors and absent in many minicomputers.

The instruction decoder is the core of the variable-hardware concept. It

## PARTS LIST

- C1, C5 to C13—0.1- $\mu$ F disc capacitor
- C2—0.01- $\mu$ F disc capacitor
- C3, C4—100-pF disc capacitor
- C14 to C20—0.001- $\mu$ F disc capacitor
- IC1—8080 central processing unit IC (Intel)
- IC2 to IC5—74L74 IC
- IC6 to IC14—8T97 IC
- IC15, IC17—7402 IC
- IC16, IC32, IC33—7404 IC
- IC18 to IC20, IC51—74123 IC
- IC21—7473 IC
- IC22 to IC24, IC50—7400 IC
- IC25—7430 IC
- IC26—7410 IC
- IC27 to IC31, IC39 to IC41—7405 IC
- IC34, IC35—8111 IC
- IC36—74L30 IC
- IC42 to IC49—74L00 IC
- IC52—7406 IC
- IC53 to IC58—8111 IC (optional)
- LED1 to LED36—Panel-type, red light-emitting diode
- (Note: Following are resistors  $\frac{1}{2}$ -watt, 10% tolerance)
- R1, R3, R9 to R31, R56—1000 ohm
- R2, R4, R7, R8—330 ohm
- R5, R33 to R37—2200 ohm
- R6—7500 ohm
- R32—100 ohm
- R38, R48 to R55—10,000 ohm
- R39—200,000 ohm
- R40 to R47—470 ohm
- R57 to R92—220 ohm
- S1 to S16, S25—Spst miniature toggle switch
- S17 to S24—Spdt spring-loaded, momentary-action miniature toggle switch
- XTAL—2-MHz crystal
- Misc.—Metal case; power supply (see text); line cord; multiconductor ribbon cable; mounting hardware; solder; etc.
- Note: The following items are available from MITS, Inc., 6328 Linn N.E., Albuquerque, NM 87108 (Tel.: 505-265-7553); partial kit No. 8800PK (includes pc boards and all electronic components (but not case, switches, or power supply), \$298; complete kit No. 8800K (contains all parts, including ready-to-use case, switches, and power supply), \$397; Completely assembled and tested Model 8800A computer (includes 90-day warranty), \$498. Prices do not include postage or delivery charge. Both kits include detailed assembly and operating manual. A FREE set of etching and drilling guides, component-placement diagrams and miscellaneous information is available from the kit supplier (send self-addressed  $8\frac{1}{2}$ "  $\times$  11" envelope with 40c postage). Check supplier or manufacturer for latest ICI price, available separately.

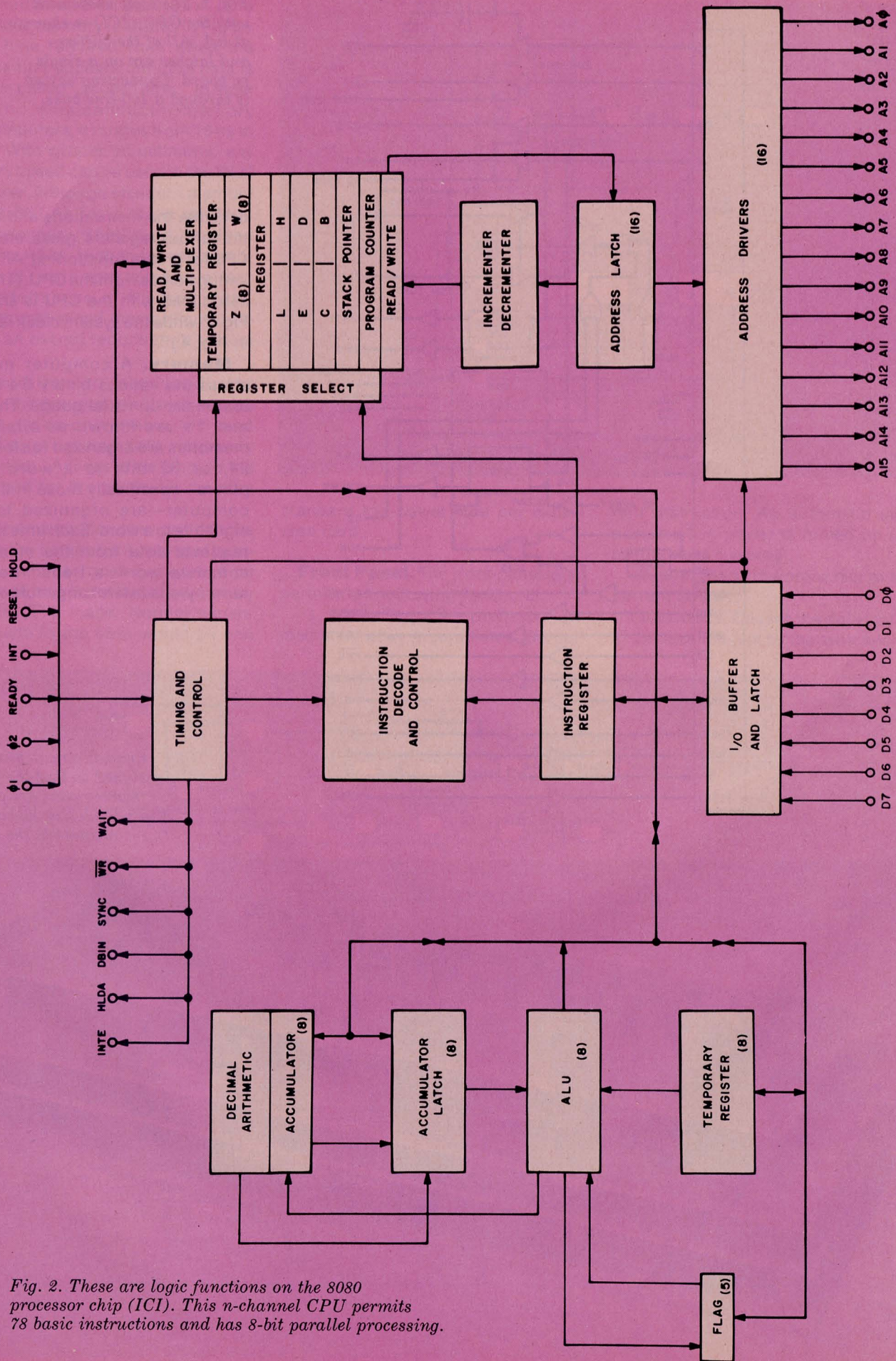


Fig. 2. These are logic functions on the 8080 processor chip (ICI). This n-channel CPU permits 78 basic instructions and has 8-bit parallel processing.

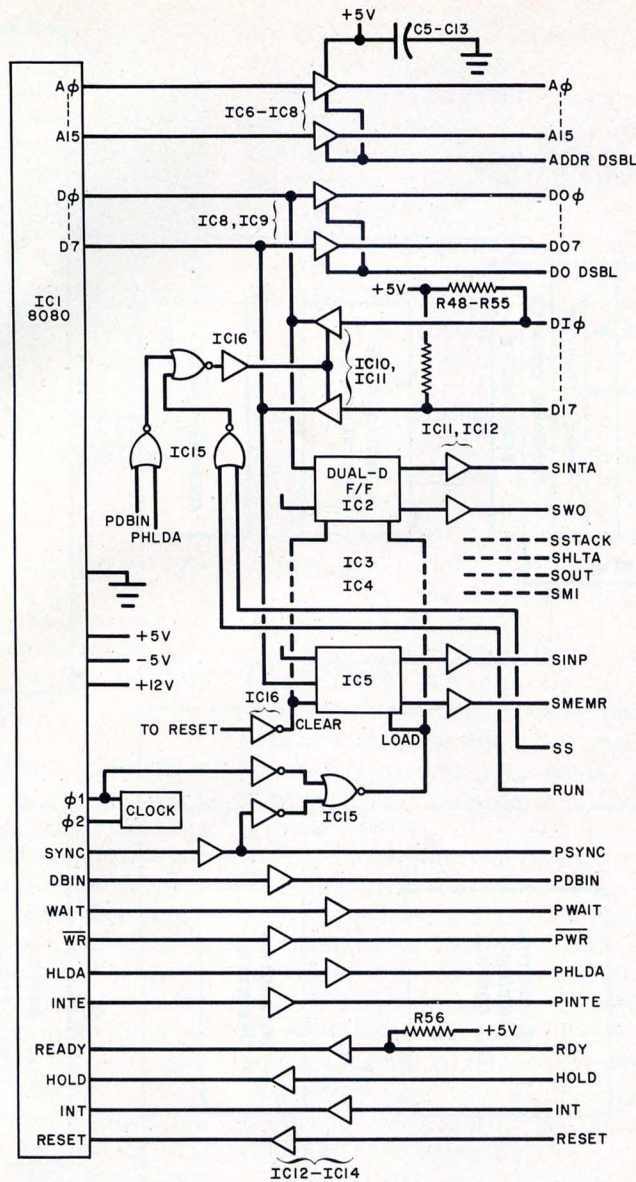
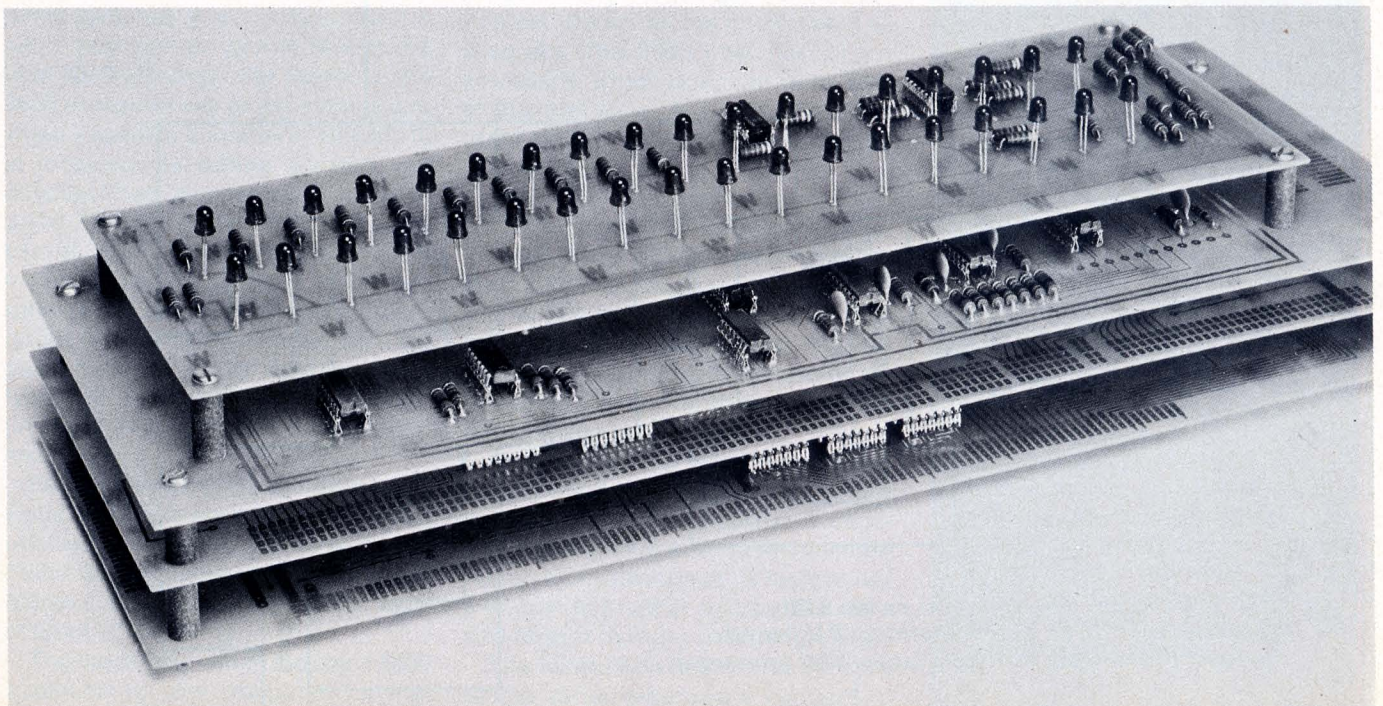


Fig. 3. The logic associated with the CPU (IC1) is shown at left. All of the buffers and latches are on a single pc board. Connecting wiring is through a 100-line buss.

decodes the instructions and sets up the various registers, gates, etc., in the CPU for proper functioning. All system timing comes from the CPU. (The logic associated with the CPU is shown in Fig. 3, while the system clock is shown in Fig. 4.)

**Memory.** A computer memory stores the various binary 0's and 1's that make up its language. These 0's and 1's are known as *bits*. Some memories are organized to store 4, 16, 24, or 32 bits to a *word*, while others—specifically those in the 8800 computer—are organized to store eight bits to a word. Each time the CPU requests data from the memory, a complete word is transmitted. The term *byte* is interchangeable with the

*Printed circuit boards are designed so that the various mating pads are aligned. Multi-conductor ribbon cable interconnects the boards.*





term word in an 8-bit processor. (The basic 8800 memory is shown in Fig 5.)

The time required from when the address first appears until the data is stable is called "access time." In most modern semiconductor-memory minicomputers, it ranges from 15 ns to 30  $\mu$ s. With proper adjustments, any memory speed can be used in the 8800 computer, although standard memory time is 850 ns for a static random-access memory (RAM) and 420 ns for a dynamic RAM. Higher-speed memories will not appreciably affect the performance of the computer, while slower-speed memories will result in an overall reduction in system speed.

In addition to semiconductor RAM's, the processor will also service ROM's (read-only-memories) and PROM's (programmable read-only memories). Access time should be reinforced for the particular memory used.

Any conventional memory can be used in the computer if the input loading on the buss does not exceed 50 TTL loads and if the buss is driven by standard TTL loads. Normal expansion loads to the buss would be one

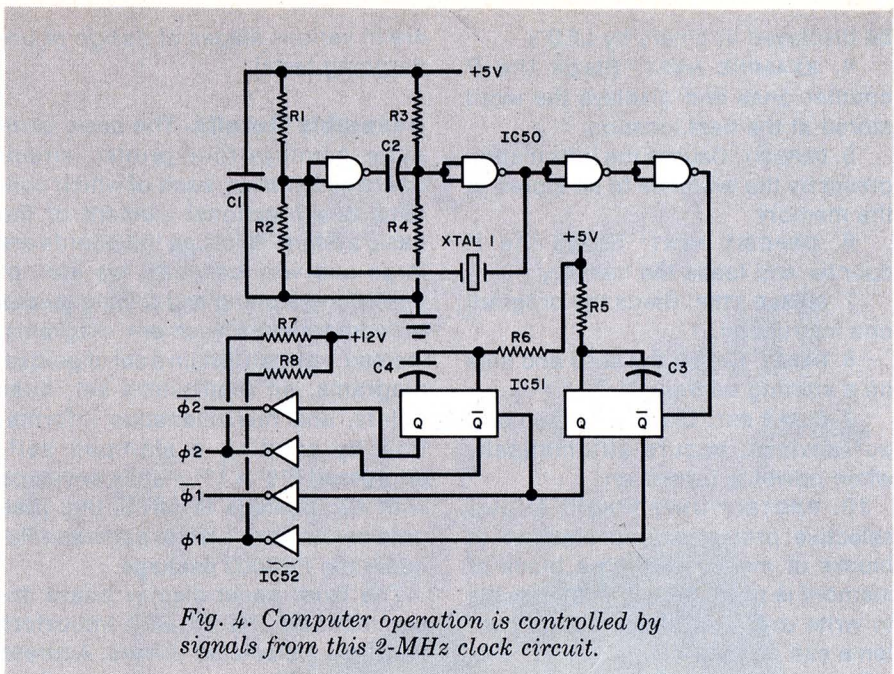


Fig. 4. Computer operation is controlled by signals from this 2-MHz clock circuit.

standard low-power load per expansion card.

**Front Panel.** The front-panel logic permits the following functions:

1. STOP: Stops the processor immediately after it completes the cur-

rent instruction. An automatic stop occurs when power is turned on (interrupts are disabled).

2. RUN: Starts the processor at the current address.

3. EXAMINE: Causes the data stored at the location (set by the switches) to

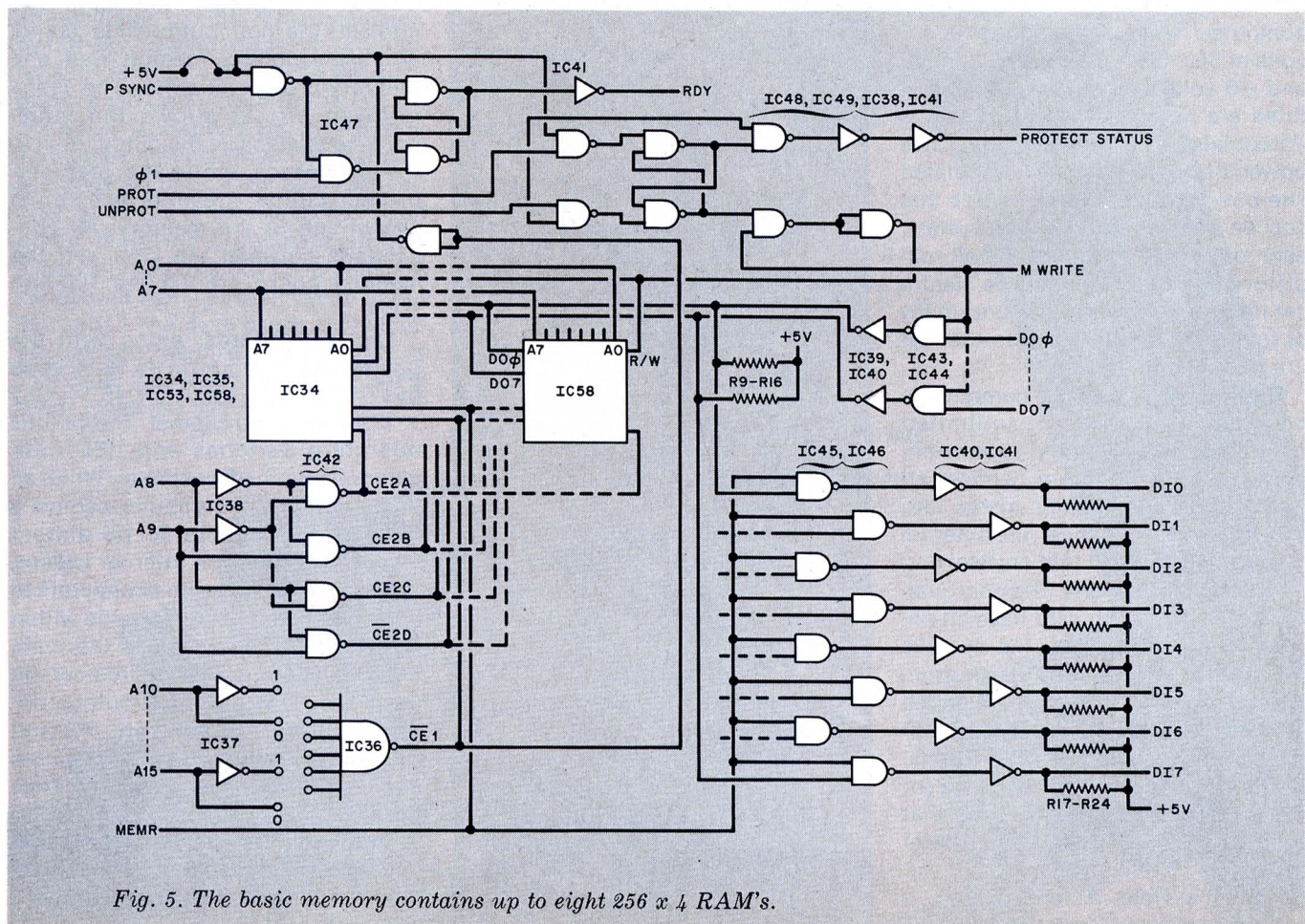


Fig. 5. The basic memory contains up to eight 256 x 4 RAM's.

be displayed in binary by LED's.

4. **EXAMINE NEXT:** Steps the P counter once and displays the word stored at the next location.

5. **DEPOSIT:** Causes the information preset by the switches to be stored in the memory.

6. **DEPOSIT NEXT:** Stops the P counter and loads the memory.

7. **SINGLE STEP:** Steps the program one instruction.

8. **RESET:** Clears the CPU and sets up a starting address of 0.

9. **CLEAR EXT:** Clears all input/output devices; occurs automatically when power is turned on.

10. **PROTECT/UNPROTECT:** Allows selective protection/unprotection of blocks of memory. When a block of memory is protected, it is impossible to write over that block, but its contents can be read out.

There are 36 LED status indicators on the front panel, 16 of which are used for the address buss, 8 for the system status latches, and 8 for the data buss. The four remaining LED's are used for indicating memory-protect, interrupt, system-wait, and hold status.

**Power Supply.** Four power sources are required to operate the computer: +5 volts at 2 amperes, -5 volts at 500 mA, -12 volts at 500 mA, and +8 volts at 6 amperes. The first three are regulated, while the last is unregulated. The three regulated lines power the processor. The unregulated line powers the peripheral cards that can be used to expand the system, each of which has its own 5-volt regulator on board. This reduces electrical noise and obviates the possibility of total system failure due to the failure of only one regulator.

**Expansion.** The basic computer is designed for almost unlimited peripheral and memory expansion, using a buss system where all input/output connections merge into a common line. Hence, an external card can be plugged into any slot and it will function properly. The only qualification is that each card have an address decoder to allow the specific card to take what data it needs from the common buss and put data on the buss as required. The processor buffers are designed to drive 300 external cards, which should be adequate for most applications. Bear in mind that only 17 cards will yield 65,000 words of memory.

[Editor's Note: At this writing, a number of different peripheral devices

are in various stages of design or undergoing tests]

**Assembly Details.** The basic computer employs four printed circuit board assemblies, each of which contains one functional element of the basic system. Because the boards are large and very complex, we are not publishing etching and drilling guides or component-placement diagrams. Instead, you can obtain a set of guides, diagrams, an instruction set, buss points, and miscellaneous information by sending a stamped self-addressed 8½" × 11" manila envelope with 40c postage to MITS, Inc. (See note below Parts List for address.) Request the PE8800 package.

The front panel display board accommodates the 36 LED indicators and their associated drivers. Address line inputs A0 through A16, data lines D0 through D7, and the various status lines originate on the CPU board. The boards have been designed so that the

various mating pads on both are aligned. Multi-conductor flexible ribbon cable interconnects the boards.

The front panel control board contains the circuitry for the interfacing between the control switches located on the front panel and the CPU. In addition to the interconnections to the actual processor, this board accepts memory address switches A0 through A15 (also on the front panel). The first eight of these switches (D0 to D7) are used to put data into the CPU. The EXAMINE/EXAMINE NEXT, DEPOSIT/DEPOSIT NEXT, SINGLE STEP, and RUN/STOP switches are also wired directly to the front panel control board.

The third board contains the Intel 8080 central processing unit LSI chip, two-phase clock and buffers, and the various lines going to the buss. (The buffers are tri-state, high-input-impedance, high-output-level devices.) This board also has four dual-D flip-flops wired as latches for the eight bits of status information. All input and output wiring to and from the CPU board is via a 100-line buss.

The basic memory board contains 256 eight-bit words of random access memory (RAM). It is directly expandable to 1000 words. This board also contains the input/output data-gating, address-decoding, memory-wait, and memory-protect circuits. The memory-wait circuit allows the memory time to stabilize the output data to the processor, while the memory-protect circuit prevents accidental overwriting of the memory. All connections between the CPU and the memory board are via the 100-line buss.

The four boards, along with the power supply, mount in an 18-in. deep by 17-in. wide by 7-in. high (45.7 × 43.2 × 17.7-cm) metal cabinet. The various operating switches and LED indicators go on the front panel. When all this is done, the computer cabinet's interior will appear to be almost empty. However, the internal cabling system is arranged with connectors to accommodate 17 more boards within the case, all connected to the main buss lines. The added boards can be used for memory, input/output devices, control devices, etc. All you have to do is plug the boards into the connectors and the computer does the rest.

Part 2 of this article, next month, will describe the operation of the computer and present some sample programs. ◆

#### SOME APPLICATIONS FOR THE ALTAIR 8800 COMPUTER

Listed below is only a small sampling of the thousands of possible applications for the computer. The Altair 8800 is so powerful, in fact, that many of these applications can be performed simultaneously. It can be used as a:

- Programmable scientific calculator
- Multichannel data acquisition system
- Automatic control for ham station
- Sophisticated intrusion alarm system with multiple combination locks
- Automatic IC tester
- Machine controller
- Digital clock with all time-zone conversion
- High-speed I/O device for large computer
- Digital signal generator
- Automated automobile test analyzer
- On-board mobile controller
- Autopilot for planes, boats, etc.
- Navigation computer
- Time-share computer system
- "Smart" computer terminal
- Brain for a robot
- Pattern-recognition device
- Printed matter-to-Braille converter for the blind
- Automatic drafting machine
- Automatic controller for heat, air conditioning, dehumidifying
- Controller for sound systems
- Digital filter
- Signal analyzer